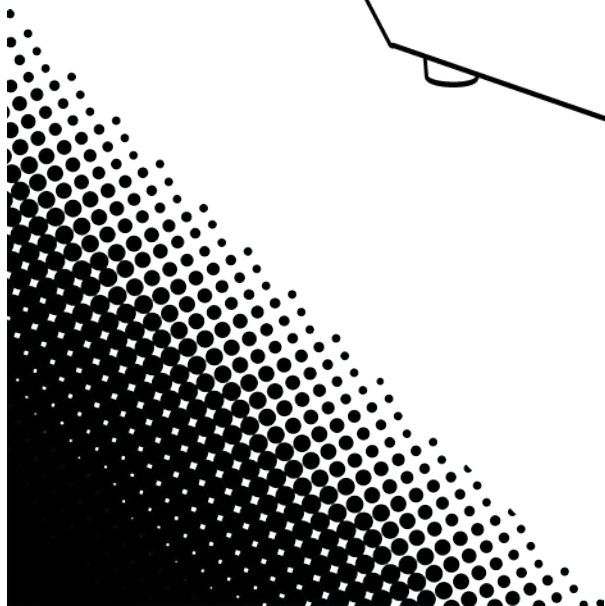
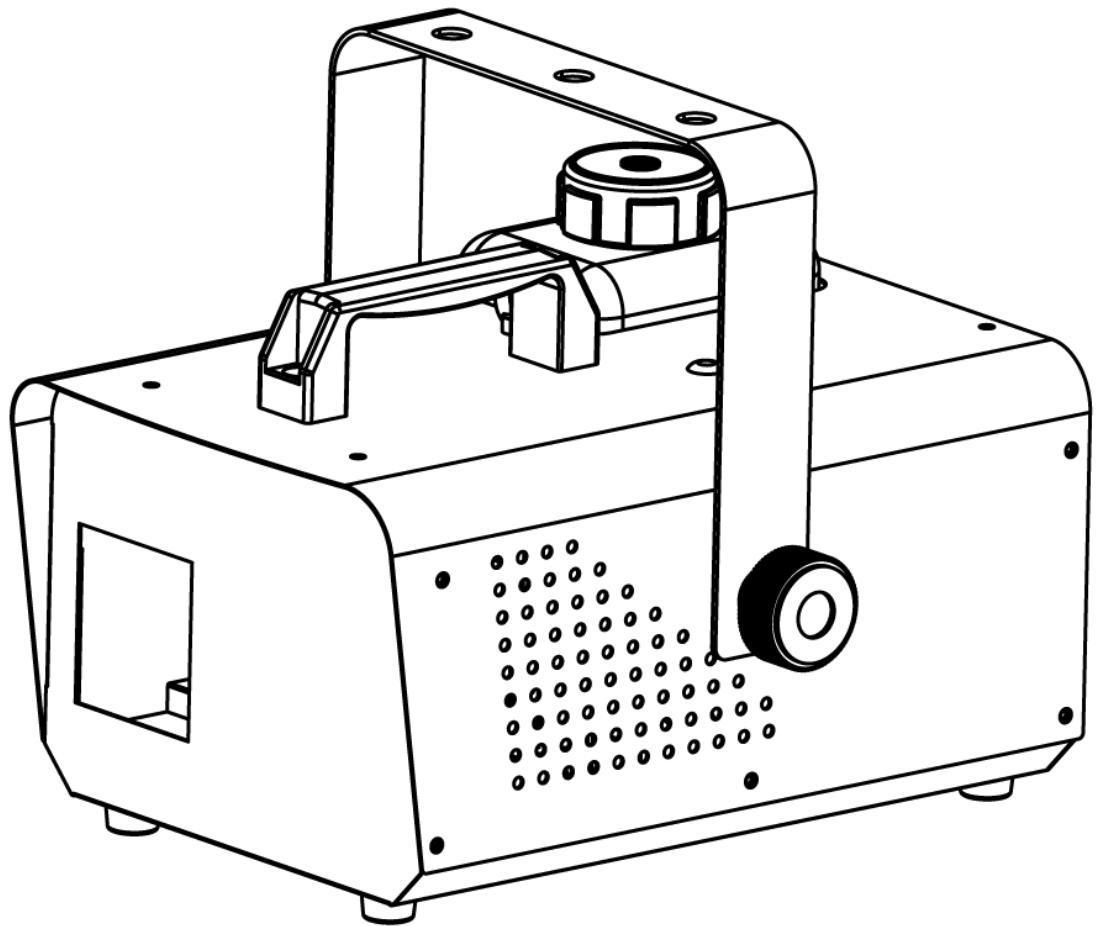


HURRICANE

HAZE 1D

User Manual



CHAUVET

Table of Contents

1. Before You Begin	3
What Is Included	3
Unpacking Instructions.....	3
Claims	3
Text Conventions	3
Icons.....	3
Document Information.....	3
Product at a Glance	4
Safety Notes.....	4
2. Introduction	5
Product Overview.....	5
Product Dimensions	6
3. Setup	7
AC Power	7
Fuse Replacement.....	7
Mounting	8
Orientation	8
Rigging.....	8
4. Operation	9
Control Panel Operation.....	9
Fluid Tank Indicator LEDs.....	9
Wired Timer Remote Operation	10
Menu Map	11
Configuration (DMX)	11
Starting Address.....	11
Configuration (Standalone Mode)	11
Manual Mode	11
DMX Channel Assignments and Values	11
1-CH.....	11
5. Technical Information	12
Hazer Maintenance	12
Storage.....	12
General Troubleshooting.....	13
Returns.....	14
Contact Us.....	15
6. Technical Specifications.....	16

1. Before You Begin

- What Is Included**
- Hurricane Haze 1D
 - Power cord
 - FC-T remote controller
 - Hanging bracket with mounting hardware
 - Warranty card
 - Quick Reference Guide

Unpacking Instructions Immediately upon receiving this product, carefully unpack it and check the container in which you received it.




Claims If the container or the material inside the container (the product and included accessories) appear damaged from shipping, or show signs of mishandling, upon receipt notify the carrier immediately, not Chauvet. Failure to do so in a timely manner may invalidate your claim with the carrier. In addition, keep the container and all the packing material for inspection.

For other issues such as missing components or parts, damage not related to shipping, or concealed damage, file a claim with Chauvet within seven (7) days of receiving the merchandise.

Text Conventions

Convention	Meaning
<Menu>	A key to be pressed on the product's control panel
1-512	A range of values
50/60	A set of values of which only one can be chosen
Settings	A menu option not to be modified (for example, showing the operating mode/current status)
Menu > Settings	A sequence of menu options to be followed
ON	A value to be entered or selected

Icons

Icon	Meaning
	Critical installation, configuration, or operation information. Failure to comply with this information may render the product partially or completely inoperative, cause damage to the product, or cause harm to the user.
	Important installation or configuration information. Failure to comply with this information may prevent the product from functioning correctly.
	Useful information.

Document Information

The information and specifications contained in this document are subject to change without notice. Chauvet assumes no responsibility or liability for any errors or omissions that may appear in this manual.

© Copyright 2016 Chauvet. All rights reserved.

Electronically published by Chauvet in the United States of America.

Product at a Glance

Use on Dimmer	X	Auto Programs	X
Outdoor Use	X	Auto-ranging Power Supply	X
Sound-Activated	X	Replaceable Fuse	P
DMX	P	User-Serviceable	X
Master/Slave	X	Duty Cycle	X

Safety Notes



Please read the following Safety Notes carefully before working with the product. The Notes include important safety information about installation, usage, and maintenance.

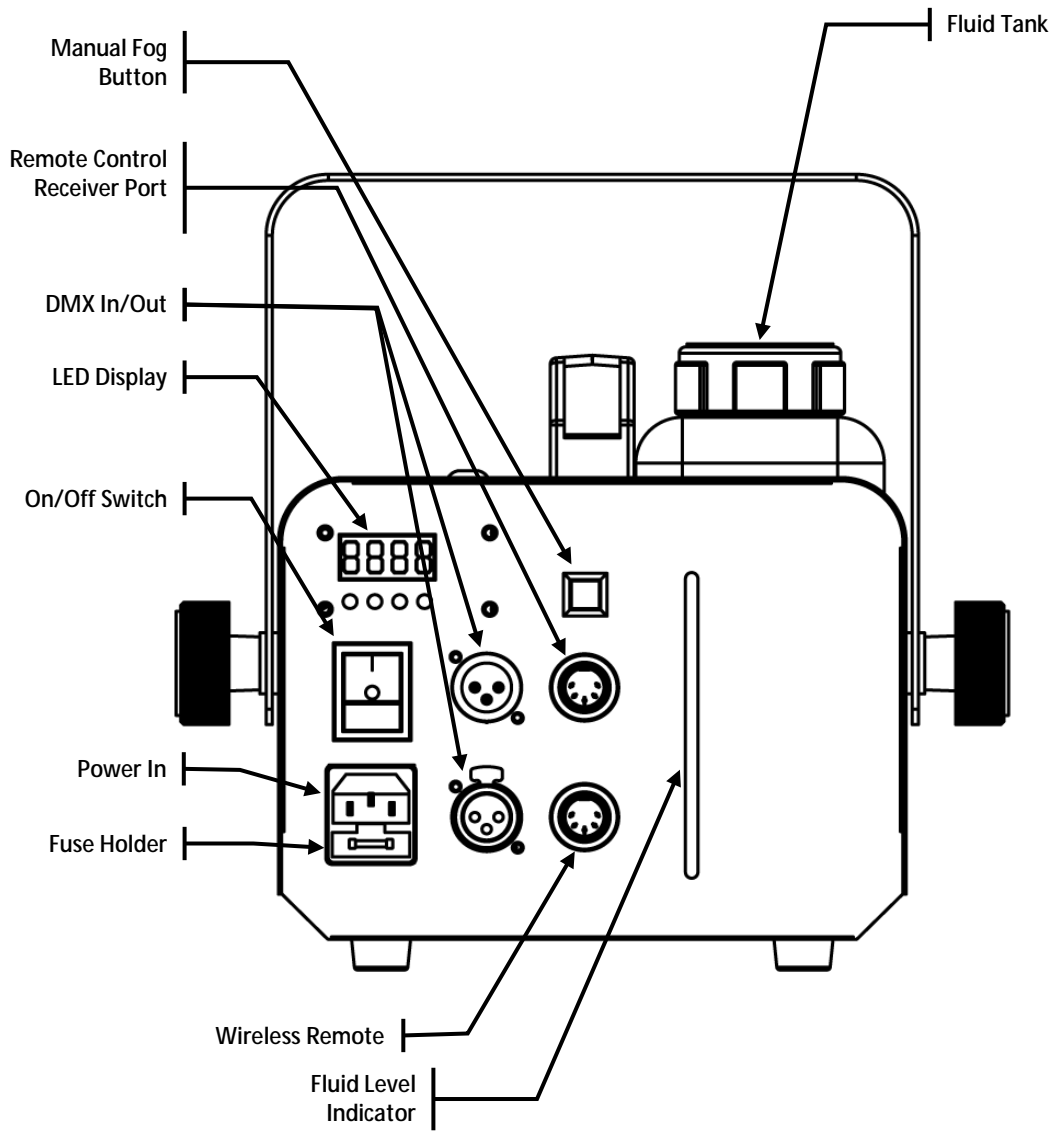
- Always connect the product to a grounded circuit to avoid the risk of electrocution.
- Always disconnect this product from the power source before cleaning it or replacing the fuse.
- Make sure the power cord is not crimped or damaged.
- Never disconnect the power cord by pulling or tugging on the cord.
- Do not touch the output nozzle on this product. It is very hot during operation and it may remain hot for several hours after turning the unit off.
- If mounting this product overhead, always secure it to a fastening device using a safety cable.
- Do not mount this product on a flammable surface (e.g., wood, linoleum, carton, plastic, or carpet).
- Always make sure that the voltage of the outlet to which you are connecting the product is within the range stated on the decal or rear panel of the product.
- Keep this User Manual for future consultation. If you sell this product to another user, be sure that they also receive this document.
- This product is for indoor use only! To prevent risk of fire or shock, do not expose this product to rain or moisture.
- Make sure there are no flammable materials close to the unit while operating.
- Always install this product in a location with adequate ventilation, at least 20 in (50 cm) from adjacent surfaces.
- Be sure that no ventilation slots on the unit's housing are blocked.
- Make sure to replace the fuse with another of the same type and rating.
- The maximum ambient temperature (Ta) is 104 °F (40 °C). Do not operate this product at higher temperatures.
- In the event of a serious operating problem, stop using the unit immediately.
- Never try to repair this product. Repairs carried out by unskilled people can lead to damage or malfunction. Please contact the nearest authorized technical assistance center.
- Never connect this product to a dimmer pack.
- Make sure there are no flammable materials close to the unit while operating.
- Depending on the amount of fog/haze generated, all fog machines may set off smoke detectors.
- Do not use for space heating purposes.
- Use only CHAUVET water-based haze fluid.
- Drain the tank before transporting the product.
- To eliminate unnecessary wear and improve its lifespan, during periods of non-use completely disconnect the product from power via breaker or by unplugging it.



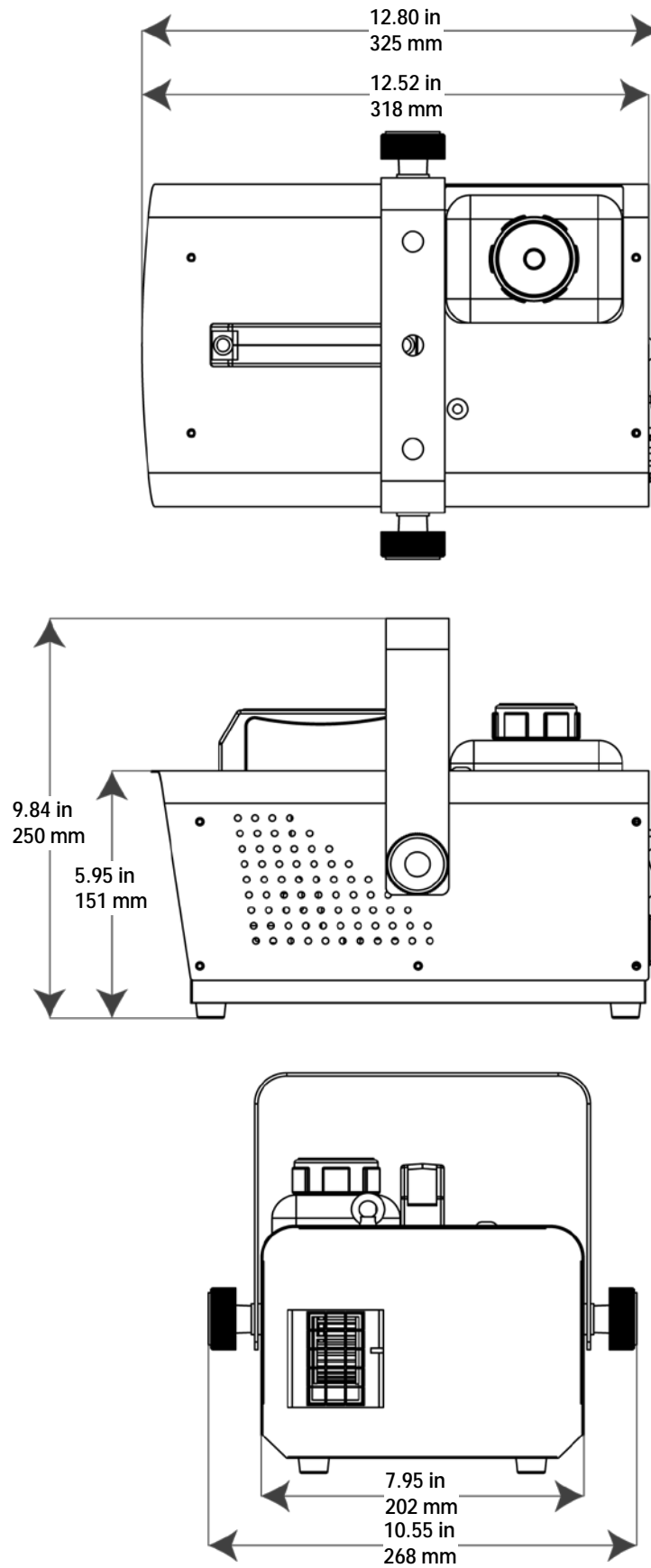
FCQ (Fog Cleaner Quart) was specifically developed by Chauvet to clean your Hurricane Haze 1D. Make sure you use FCQ regularly, no longer than 90 days between cleanings, to increase the life of your product.

2. Introduction

Product Overview



Product Dimensions



3. Setup

AC Power

This product can work with an input voltage of either 120 VAC, 60 Hz or 230 VAC, 50 Hz depending on the model.

To determine the power requirements for a particular product, see the label affixed to the back plate of the product or refer to the product's specifications chart. The listed current rating indicates the product's average current draw under normal conditions.



Always connect this product to a protected circuit (circuit breaker or fuse), making sure that it has an appropriate electrical ground to avoid the risk of electrocution or fire.



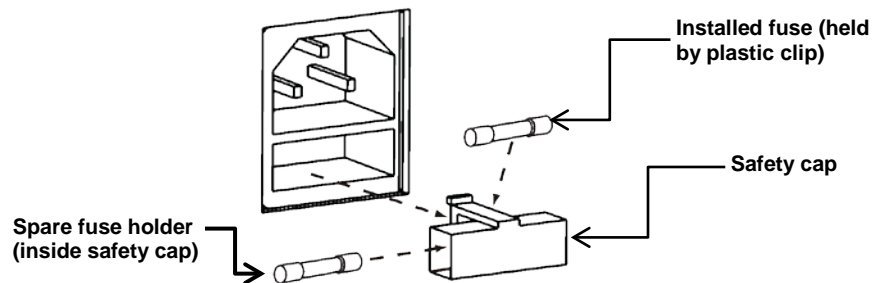
Never connect this product to a rheostat (variable resistor) or dimmer circuit, even if the rheostat or dimmer channel serves only as a 0 to 100% switch.

Fuse Replacement



Disconnect this product from the power outlet before replacing the fuse.

1. Wedge the tip of a flat-head screwdriver into the slot of the fuse holder.
2. Pry the fuse out of the housing.
3. Remove the blown fuse from the holder and replace with a fuse of the exact same type and rating.
4. Insert the fuse holder back in place and reconnect power.



The product does not ship with a spare fuse; however, the safety cap has room for a spare.

Mounting

Orientation The Hurricane Haze 1D may be mounted in any position provided there is adequate room for ventilation around it.

Rigging Be sure that the structure or surface onto which you are mounting this product can support its weight. Please see the [Technical Specifications](#) section of this manual for weight information.

Make sure to mount the product securely to a rigging point, whether an elevated platform or a truss.

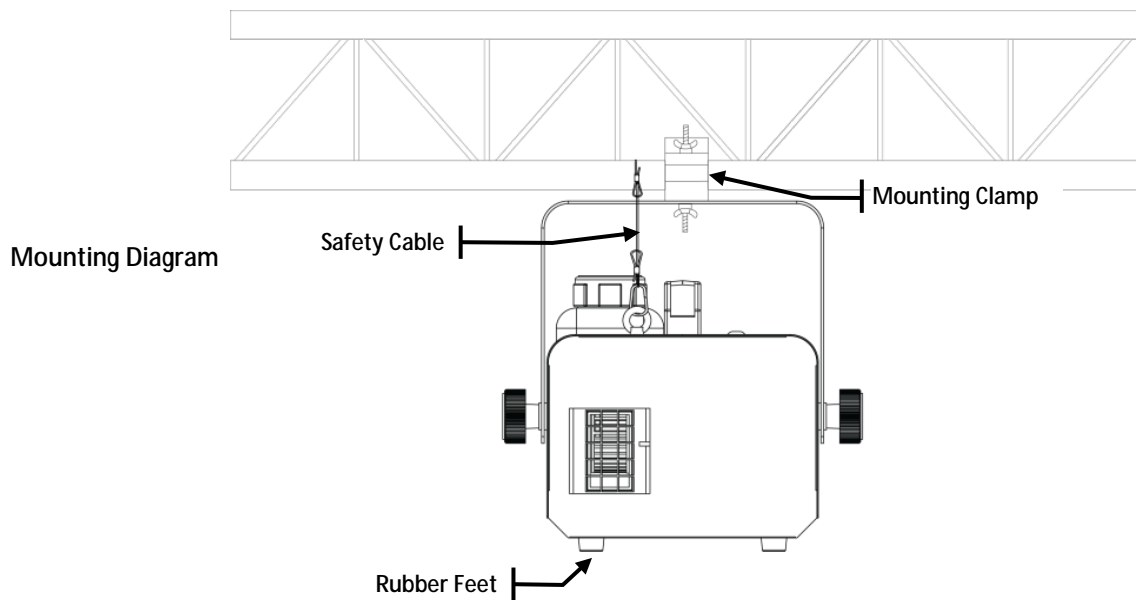
When rigging this product onto a truss, you should use a mounting clamp of appropriate weight capacity. The bracket has a 13 mm hole, which is appropriate for this purpose.

When mounting this product overhead, always use a safety cable.

Before deciding on a location for this product, always make sure that it will be easy to access the unit for maintenance and programming purposes.

When power linking multiple products, you must always consider the length of the power linking cable and mount the products close enough for the cable to reach them.

The bracket knobs allow for directional adjustment when aiming the product to the desired angle. Only loosen or tighten the bracket knobs using your bare hands. Using tools could damage the knobs.



4. Operation

Control Panel Operation

To access the control panel functions, use the 4 buttons located underneath the display.

Button	Function
<MENU>	Exits from the current menu or function
<UP>	Navigates upwards through the menu list and increases the numeric value when in a function
<DOWN>	Navigates downwards through the menu list and decreases the numeric value when in a function
<ENTER>	Enters into a menu or sets the currently displayed value



Important note regarding the priority level for the three types of methods used to control the operation of your Hurricane Haze 1D.

A DMX controller will take priority control over the digital display and Remote Control.

The priority control levels are:

1. DMX
2. Remote controller
3. Digital display

Fluid Tank Indicator LEDs

Indicator LEDs show the status of the fill tank, as follows:

- Red - the heater is currently warming up
- Blue - the hazer is ready
- Flashing Blue - the fluid tank requires refilling

Note: The Hurricane Haze 1D may be operational while the heater is warming up and may emit bursts of fog while resetting itself or while the fluid tank is heating. This is normal operation.



See the [General Troubleshooting](#) section to identify possible sources of trouble and find solutions.

Wired Timer Remote Operation

Important: Using the Control Board, set the Haze (**HAZE**) output to **0**. You can then connect and operate the included wired remote with the Hurricane Haze 1D.

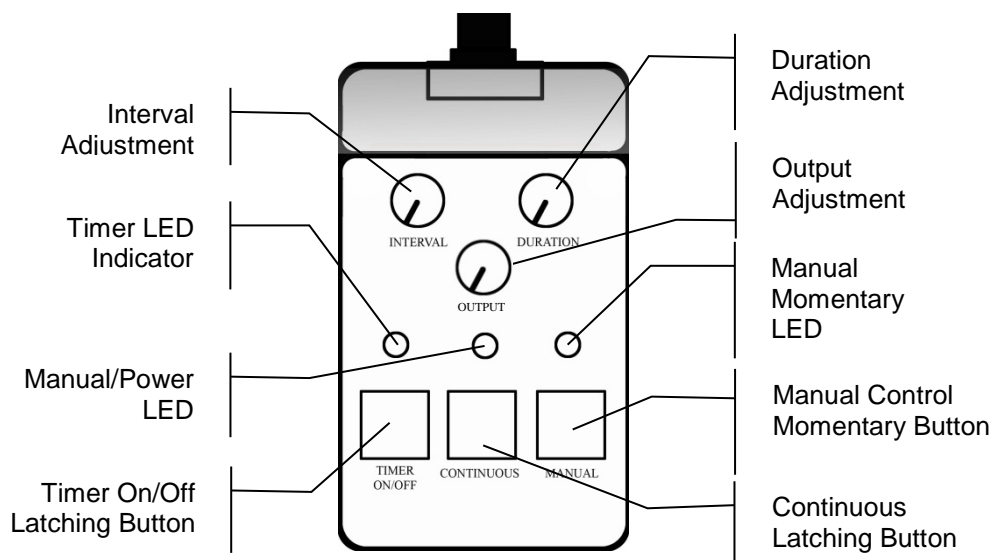
The wired timer controller allows you to automatically trigger fog output by setting interval and duration times. LED indicator lights display the machine and controller's current state. Rotary knobs set interval and duration times, while manual and continuous buttons allow overriding control.

1. Plug in the fog machine to power and turn the power switch to the product on.
2. Plug in the timer controller to the Manual Controller socket on the back of the fog machine.
3. Press the **<TIMER ON/OFF>** latching button on the timer controller. The Timer LED Indicator above the button will light up. The **<TIMER ON/OFF>** latching button will remain on until it is pressed again.
4. Set the INTERVAL, DURATION, and OUTPUT adjustment knobs to the desired positions.
 - INTERVAL knob sets the amount of time in between bursts of fog
 - DURATION knob sets the length of time that the fog machine will run during the burst
 - OUTPUT knob adjusts the fog output
5. Press the **<CONTINUOUS>** latching button and the fog machine outputs fog until the button is pressed again. The Manual/Power LED Indicator above the button will light up during continuous operation.

Note: The duration of continuous fog output is based on the capability of the fog machine.

6. Press the **<MANUAL>** button to momentarily output fog. The fog machine will output fog for as long as you hold down the button. During manual operation the Manual Momentary LED Indicator above the button will light up.

Note: The duration of manual fog output is based on the capability of the fog machine.



Menu Map

Mode	Programming Steps	Description
HAZe	h 0~h 3	Output Low~High
Ht	H _ _ _	Shows current temperature
Addr	d 1~512	Selects the DMX starting address

Configuration (DMX)

Set this product in DMX mode to control it with a DMX controller.

- Connect this product to a suitable power outlet.
- Turn this product on.
- Connect a DMX cable from the DMX output of the DMX controller to the DMX input socket of this product.

Starting Address

The Hurricane Haze 1D has one DMX personality, a 1-channel mode for basic control.

The Hurricane Haze 1D uses 1 channel in DMX mode, which defines the highest configurable address to 512.

When selecting a starting DMX address, always consider the number of DMX channels the selected DMX mode uses. If you choose a starting address that is too high, you could restrict the access to some of the product's channels.

If you are not familiar with the DMX protocol, download the **DMX Primer** from www.chauvetlighting.com.

To select the starting address, do the following:

1. Press <MENU> repeatedly until d*** shows on the display.
2. Use <UP> or <DOWN> to select the starting address.

Configuration (Standalone Mode)

Set this product in one of the standalone modes to control it without a DMX controller.

1. Connect this product to a suitable power outlet.
2. Turn this product on.

Manual Mode



Never connect a product that is operating in any standalone mode, whether Static, Automatic, or Sound to a DMX string connected to a DMX controller. Products in standalone mode may transmit DMX signals that could interfere with the DMX signals from the controller.

To enable the Automatic Mode, follow the instructions below:

1. Press <MENU> repeatedly until h*** shows on the display.
2. Use <UP> or <DOWN> to adjust the haze volume.

DMX Channel Assignments and Values

1-CH

Channel	Function	Value	Setting
1	Output	000 ó 255	Low~High

5. Technical Information

Hazer Maintenance

Do not allow the hazer to become clogged. After every 40 hours of continuous operation, use CHAUVET Fog Cleaner Quart (FCQ) through the system to prevent the accumulation of particulate matter in the heating element.

The recommended cleaning procedure is as follows.

1. Unplug the product from power.
2. Empty all fog fluid from the machine.
3. Add cleaning solution to the tank.
4. Connect the product to power and allow it to warm up.
5. Run the unit in a well-ventilated area until the tank is almost empty. **Do not allow the pump to run dry.**
6. Refill with hazer fluid to continue using the hazer. Run the machine briefly to clear any remaining cleaning solution from the pump and heater.



Do not operate the machine without fluid at any time.



Fog Cleaner Quart (FCQ) was specifically developed by Chauvet to clean your Hurricane Haze 1D. Make sure you use FCQ regularly, no longer than 90 days between cleanings, to increase the life of your product.

Storage

Before storing the hazer, run FCQ through the system as described in the cleaning procedure above; however, only follow steps 1 through 5. **Do not refill the tank with fog fluid if storing the hazer.** Cleaning the system prior to storage will help prevent any particles from condensing inside the pump or heater while not in use.



Test-run your Hurricane Haze 1D on a monthly basis to achieve the best performance.

General Troubleshooting

Symptom	Indicator Status	Possible Cause	Possible Action
No output or short output	Red	Heater warming up	Allow the product to warm up completely. This should take less than 10 minutes.
	Red flashing	Air bubble in fluid line	Allow the product to warm up completely.
			Turn fog machine 45° to flatten out the bubble and allow the fog fluid to flow properly
			Turn off the product for 5 seconds, and then turn it back on. Repeat as necessary. Note: After more than 10 attempts, contact Customer Service.
	Blue	Incorrect fluid	Clean thoroughly with CHAUVET FCQ. For full instructions, see Hazer Maintenance . Refill with CHAUVET water-based haze fluid.
		Blocked pipes	Contact Customer Service
Failing part		Contact Customer Service	
Spitting fluid	Blue blinking	Incorrect fluid	Clean thoroughly with CHAUVET FCQ. For full instructions, see Hazer Maintenance . Refill with CHAUVET water-based haze fluid.
		Blocked pipes	Contact Customer Service
		Failing part	Contact Customer Service
	Blue	Incorrect fluid	Clean thoroughly with CHAUVET FCQ. For full instructions, see Hazer Maintenance . Refill with CHAUVET water-based haze fluid.
		Blocked pipes	Contact Customer Service
		Failing part	Contact Customer Service
Normal	Blue	Normal	Normal function
Circuit breaker or fuse keeps blowing	N/A	Excessive load on the circuit	Make sure that the total load does not exceed 80% of the breaker or fuse nominal current
Product does not power up		Short circuit along the power lines	Check the power lines and power cords
		No energy on power outlet	Check power outlet Change to another outlet
		Loose or damaged power cord	Check the power cord
		Blown fuse	Replace blown fuse with a good one of the same type and rating
	Internal problem	Send product for repair	
Product does not respond to DMX	Blue	Wrong starting address on the product	Set the correct starting address on the product Use the right fader(s) on the controller
		Wrong DMX personality on the product	Set the correct DMX product's personality Assign the faders accordingly
		Wrong polarity setting on the DMX controller	Change the signal polarity on the controller
		Loose or damaged DMX cable	Check the DMX cable before the faulty unit
		Internal problem	Send product for repair
Intermittent DMX Problems	Blue	Signal cables are not DMX compatible	Replace non DMX cables with true DMX cables
		Interference with AC or radio signals	Keep DMX cables away from AC wires or radio equipment
		DMX cable too long	Install an optically coupled DMX amplifier right before the product with intermittent problems
		Too many products connected	Install an optically coupled DMX amplifier after unit #32
		Terminator not connected	Install a terminator, as indicated in the "DMX Primer" section.



If you still experience problems after trying the solutions presented here, contact Chauvet Technical Support.

RETURNS

To return a product or request support:

- In the U.S., contact Chauvet World Headquarters (see [Contact Us](#)).
- In the UK or Ireland, contact Chauvet Europe Ltd. (see [Contact Us](#)).
- In Mexico, contact Chauvet Mexico (see [Contact Us](#)).
- In any other country, DO NOT contact Chauvet. Contact your distributor. See www.chauvetlighting.com for distributors outside the U.S., United Kingdom, Ireland, or Mexico.



If you live outside the U.S., United Kingdom, Ireland, or Mexico, contact your distributor of record and follow their instructions on how to return Chauvet products to them. Visit our website for contact details.

Call the corresponding Chauvet Technical Support office and request a Return Merchandise Authorization (RMA) number before shipping the product. Be prepared to provide the model number, serial number, and a brief description of the cause for the return.

You must send the merchandise prepaid, in its original box, and with its original packing and accessories. Chauvet will not issue call tags.

Clearly label the package with the RMA number. Chauvet will refuse any product returned without an RMA number.



Write the RMA number on a properly affixed label. DO NOT write the RMA number directly on the box.

Before sending the product, clearly write the following information on a piece of paper and place it inside the box:

- Your name
- Your address
- Your phone number
- RMA number
- A brief description of the problem

Be sure to pack the product properly. Any shipping damage resulting from inadequate packaging will be your responsibility. FedEx packing or double-boxing is recommended.



Chauvet reserves the right to use its own discretion to repair or replace returned product(s).

CONTACT Us

USA WORLD HEADQUARTERS

General Information – Chauvet

Address: 5200 NW 108th Avenue
Sunrise, FL 33351

Voice: (954) 577-4455

Fax: (954) 929-5560

Toll free: (800) 762-1084

Technical Support

Voice: (954) 577-4455 (Press 4)

Fax: (954) 756-8015

Email: tech@chauvetlighting.com

World Wide Web

www.chauvetlighting.com

EUROPE

General Information - Chauvet Europe BVBA

Address: Stokstraat 18
9770 Kruishoutem
Belgium

Voice: +32 9 388 93 97

Technical Support

Email: Eutech@chauvetlighting.eu

World Wide Web

www.chauvetlighting.eu

General Information - Chauvet Europe Ltd.

Address: Unit 1C
Brookhill Road Industrial Estate
Pinxton, Nottingham, UK
NG16 6NT

Voice: +44 (0)1773 511115

Fax: +44 (0)1773 511110

Technical Support

Email: uktech@chauvetlighting.com

World Wide Web

www.chauvetlighting.co.uk

MEXICO

General Information - Chauvet Mexico

Address: Av. Santa Ana 30
Parque Industrial Lerma
Lerma, Mexico C.P. 52000

Voice: +52 (728) 285-5000

Technical Support

Email: servicio@chauvet.com.mx

World Wide Web

www.chauvet.com.mx

Outside the U.S., United Kingdom, Ireland, Mexico, or Benelux contact the dealer of record. Follow their instructions to request support or to return a product. Visit our website for contact details.

6. Technical Specifications

Dimensions and Weight	Length	Width	Height	Weight
	12.5 in (318 mm)	10.5 in (268 mm)	9.8 in (250 mm)	8.4 lb (3.7 kg)

Note: Dimensions in inches rounded to the nearest decimal digit.

Power	Power Supply Type	Range	Voltage Selection
	Model-specific	120 V, 60 Hz or 230 V, 50 Hz	Fixed voltage
	Parameter	120 V, 60 Hz	230 V, 50 Hz
	Consumption	840 W (6.8 A)	840 W (3.7 A)
	Fuse size	F 10 A, 250 V	F 10 A, 250 V
	Power I/O	Input	
	Connectors	IEC	
	Cord plug	Edison	

Operation	Heat-up Time	Tank Capacity	Fluid Consumption
	1 min	1.5 l	10 ml/min

Fog output	CFM
	700

Approved Fluids	Chauvet Haze Fluid (Gallon)
	HFG

Thermal	Maximum External Temp.	Cooling System
	104 °F (40 °C)	Convection

DMX	I/O Connectors	Connector Type	Channel Range
	3-pin XLR	Sockets	2

Ordering	Product Name	Item Code	UPC Number
	Hurricane Haze 1D	09071158 (120 V)	781462215064
		09071159 (230 V)	781462215071

RoHS



UL 499
CSA C22.2 No. 64